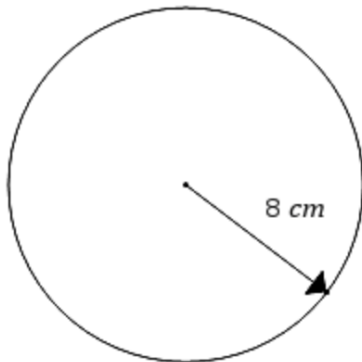


PLEASE SHOW ALL WORK AND LABEL YOUR ANSWER.

1. If the diameter of a circle equals to 40 cm, find its circumference correct to the nearest tenth. _____

2. Find the circumference of the circle shown rounded to the nearest hundredth. _____

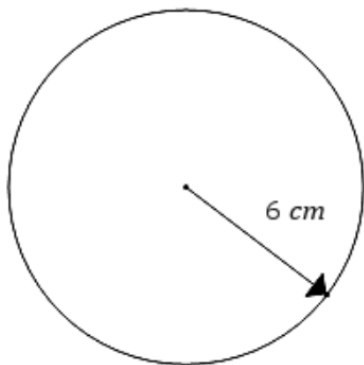


3. If the diameter of a circle is 42 cm, find its circumference using the approximation $\pi = \frac{22}{7}$. Round to the nearest integer. _____

PLEASE SHOW ALL WORK AND LABEL YOUR ANSWER.

4. If the radius of a circle equals 45 cm, find its circumference _____
correct to the nearest tenth.

5. Find the circumference of the circle shown. _____
Round to the nearest hundredth.

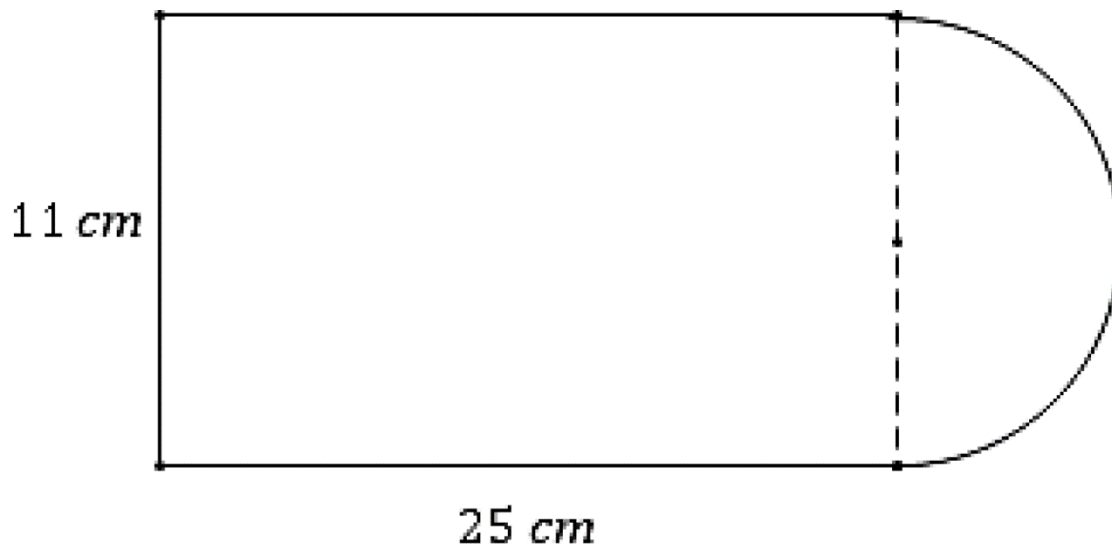


6. If the radius of a circle is 56 cm, find its circumference. _____
Use the approximation $\pi = \frac{22}{7}$ and round to the nearest integer.

PLEASE SHOW ALL WORK AND LABEL YOUR ANSWER.

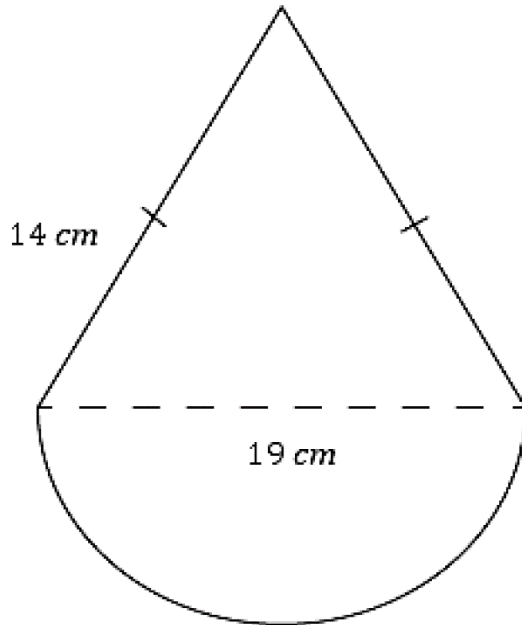
7. If the diameter of a circle equals 28 cm, find its circumference to the nearest tenth. _____

8. Find the perimeter of the following figure. Round to the nearest tenth. _____



PLEASE SHOW ALL WORK AND LABEL YOUR ANSWER.

9. Find the perimeter of the following figure.
Round to the nearest tenth.



10. Find the perimeter of the figure shown.
Round to the nearest tenth.

